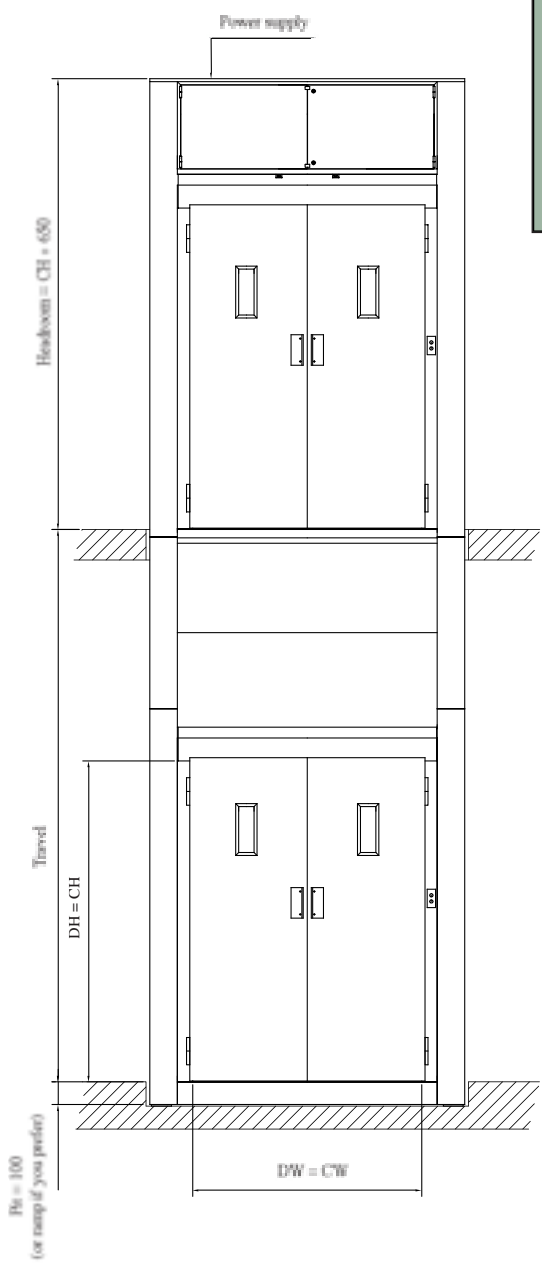
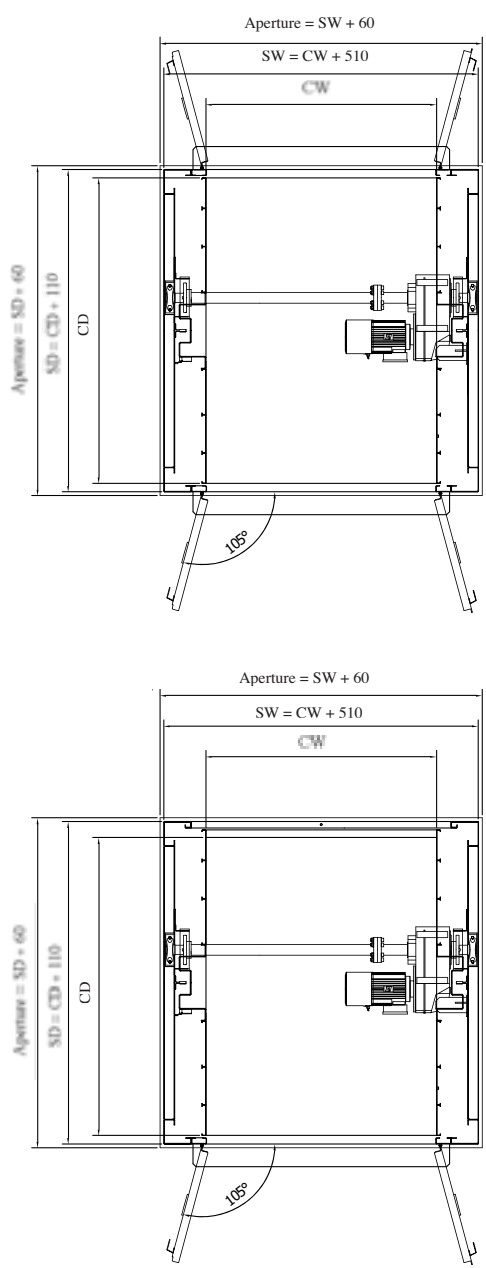




# Model Data - Thorax L

THORAX GOODS LIFT



- SW - Shaft Width
- CW - Car Width
- DH - Door Height
- CH - Car Height
- DW - Door Width
- SD - Shaft Depth
- CD - Car Depth

Please refer to Thorax Model Selection Table to establish lift model

Thorax L	minimum	standard	maximum
Rated Load		2000kgs	
Car & Doors Height (CH/DH)	1800mm	2000mm	2500mm
Entrances	front only/through car arrangement		
Pit	100mm (or ramp at extra cost)		
Lifting Speed	0.18 metres per second		
Drive	electric/chain drive, lift motor located in shaft head		